

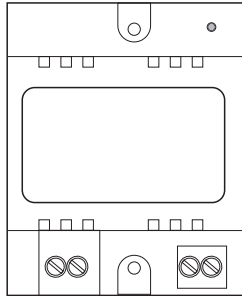
# Product Information

---

---

## 2-wire Power Separator

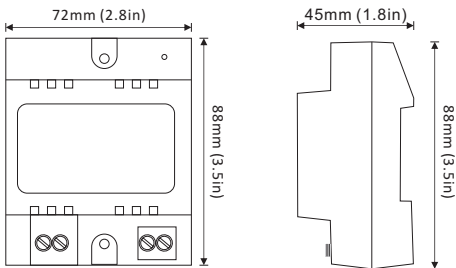
---



### DESCRIPTION

2-wire system Power Separator

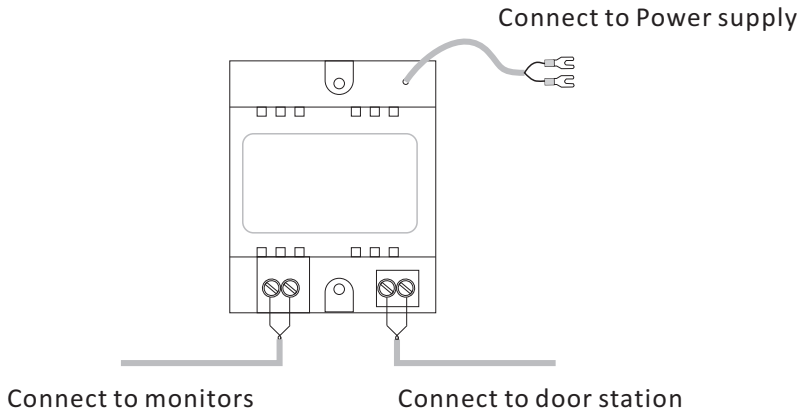
### DIMENSION



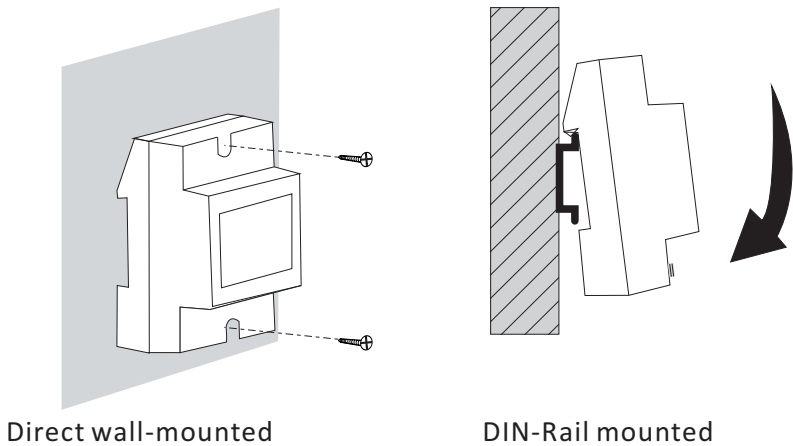
### FEATURES

- ▶ Direct wall-mounted or DIN rail mounted

## 1. Parts and Functions



## 2. Installation



## 3. Specification

- Power supply: DC 24V
- Working Temperature: -10 °C~+60 °C
- Wiring: 2 wires (Non-polarity)